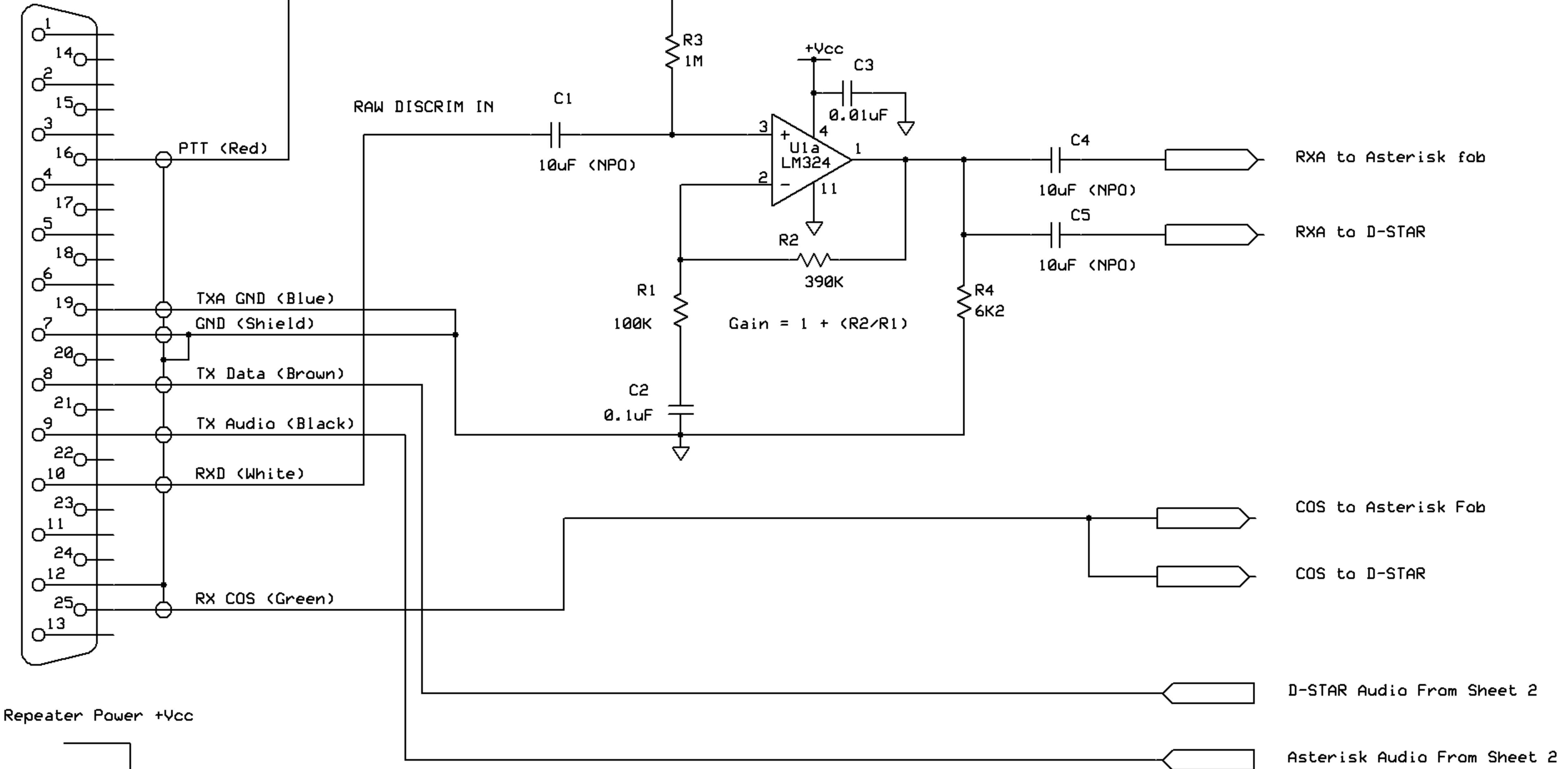
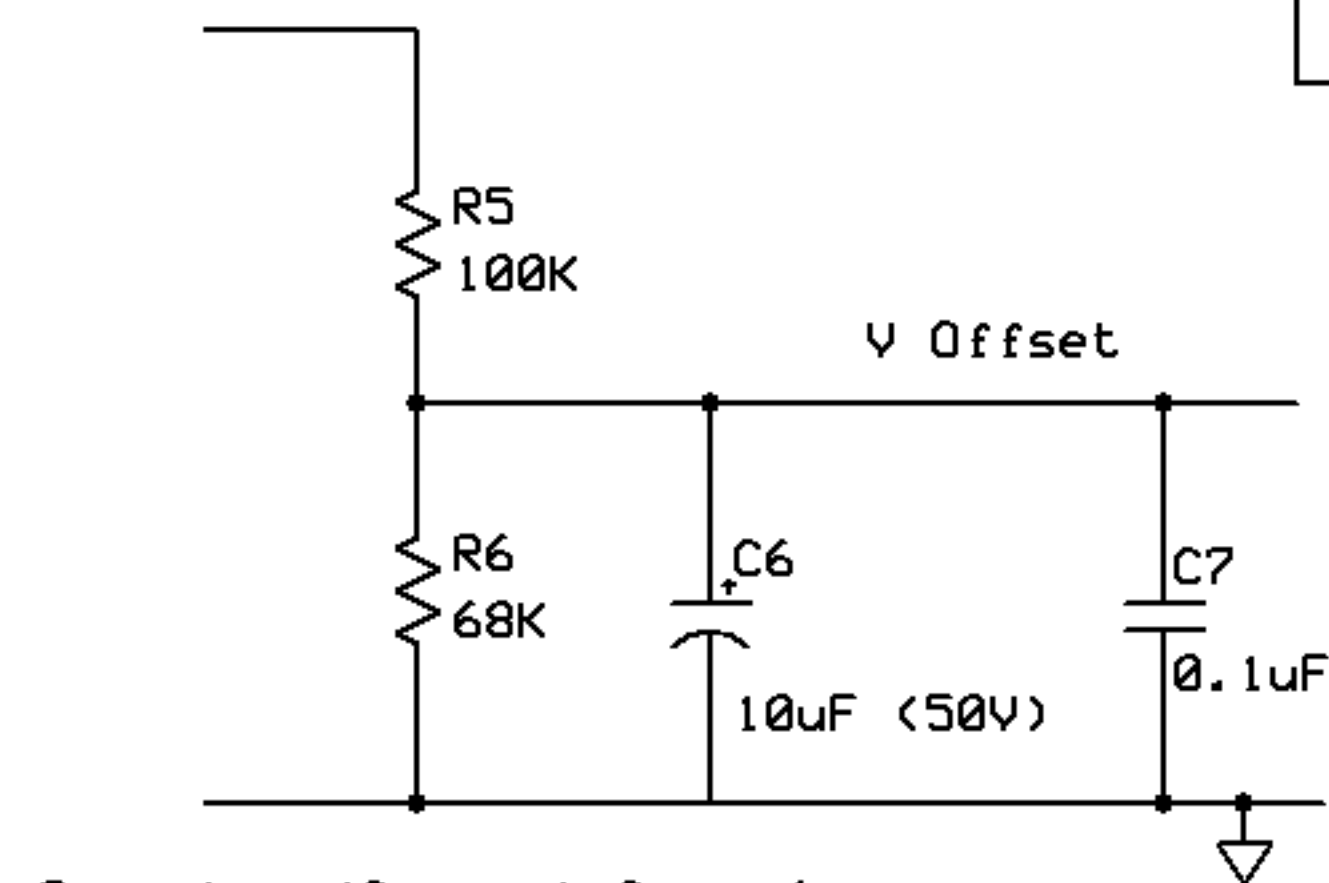


To KENWOOD TKR-750 / 850 Repeater
(See Sheet 3 for DB25 Info)

J1
DB25-M



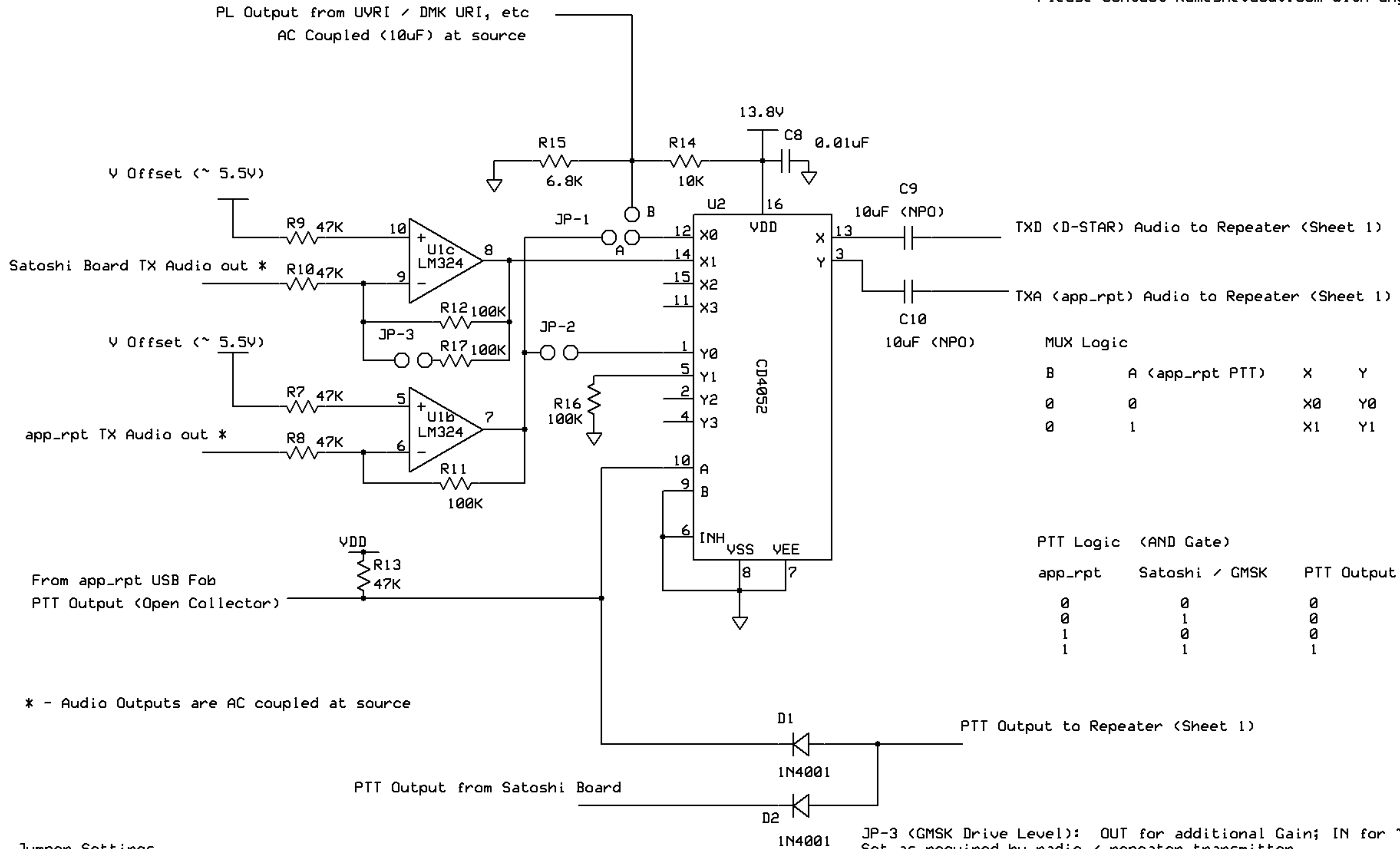
Repeater Power +Vcc



R5 & R6 = 0.5W

Copyright (2011) - This drawing may be modified and re-used as long as credit is given to the original authors
Commercial use is strictly forbidden without express (written) consent
Please contact Ramesh@va3uv.com with any questions

FREE STAR*		
DUAL Mode DV / FM MUX		
VA3UV / VA3RQ	Rev 3.0	Page 1 of 3
	2011-11-25	



* - Audio Outputs are AC coupled at source

Jumper Settings

For Transmitters with DUAL Audio Inputs - TD (flat) and TA (pre-emphasized and PL filtered)

- JP-1 - Pos'n B and JP2 - IN
- app_rpt - set txmixa for voice and txmixb for tone
- Use 'X' and 'Y' outputs from MUX

For Transmitters with Single FLAT Audio Input

- JP-1 - Pos'n A and JP-2 - OUT
- app_rpt - set txmixa for composite and txmixb to no
- Use 'X' output from MUX

FREE STAR*		
Dual Mode DV / FM MUX		
VA3UV / VA3RQ	Rev 3.5 2011-12-19	Page 2 of 3

DB25 Pin Assignment (Kenwood TKR-750 / 850 Repeater)

- 7 - Ground
- 8 - TXD
- 9 - TXA
- 10 - RXD
- 12 - RX Audio Ground
- 16 - TX PTT (Active Low)
- 19 - TX Audio Ground
- 25 - RX COS (Active Low)

Copyright (2011) - This drawing may be modified and re-used as long as credit is given to the original authors
Commercial use is strictly forbidden without express (written) consent
Please contact Ramesh@va3uv.com with any questions

FREE STAR*		
DUAL Mode DV / FM MUX		
VA3UV / VA3RQ	Rev 3.0 2011-11-25	Page 3 of 3