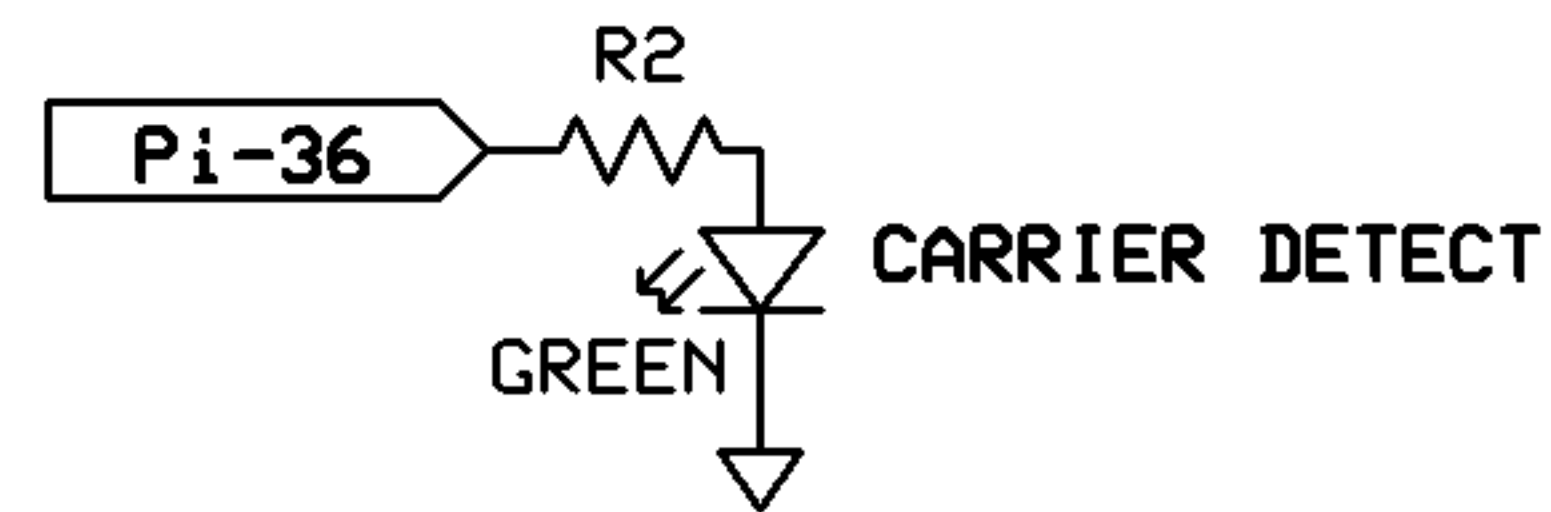
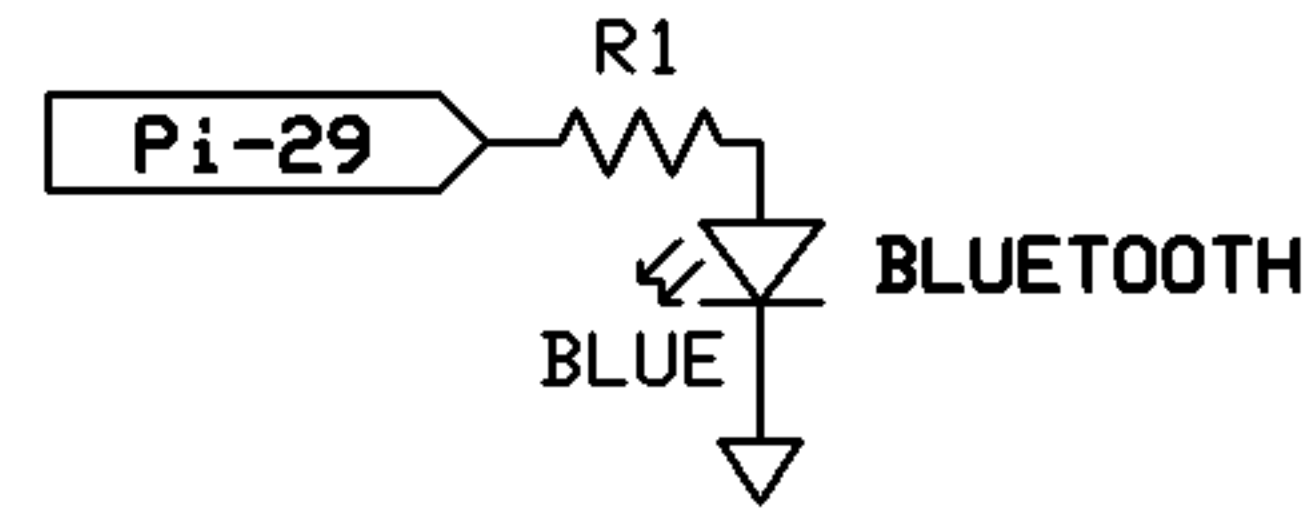
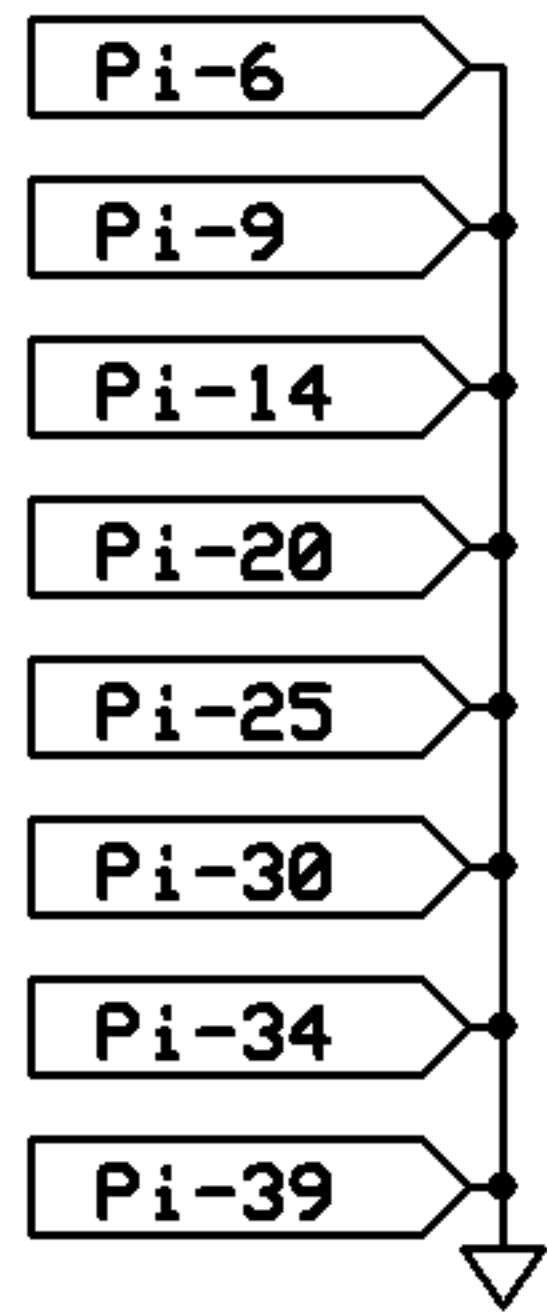
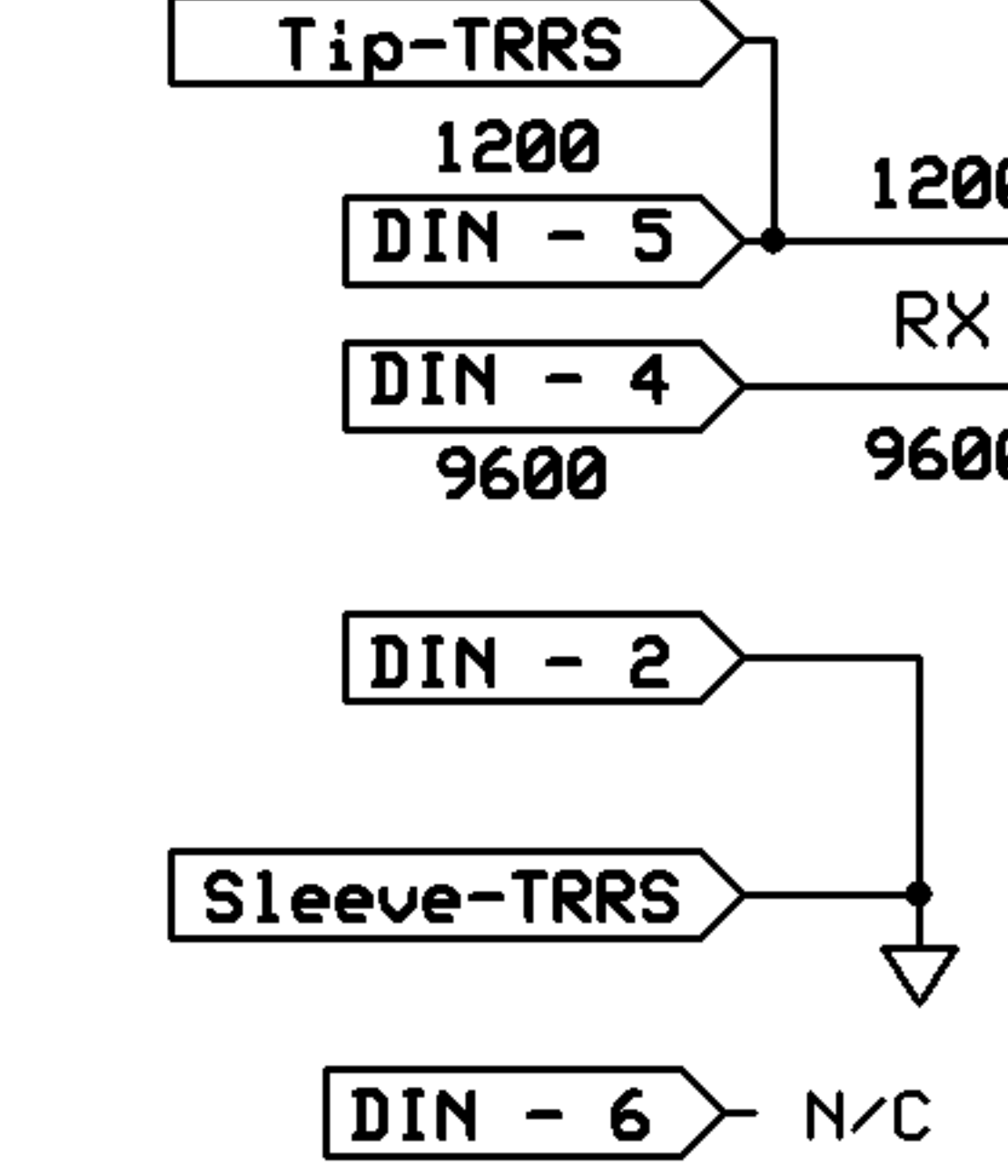
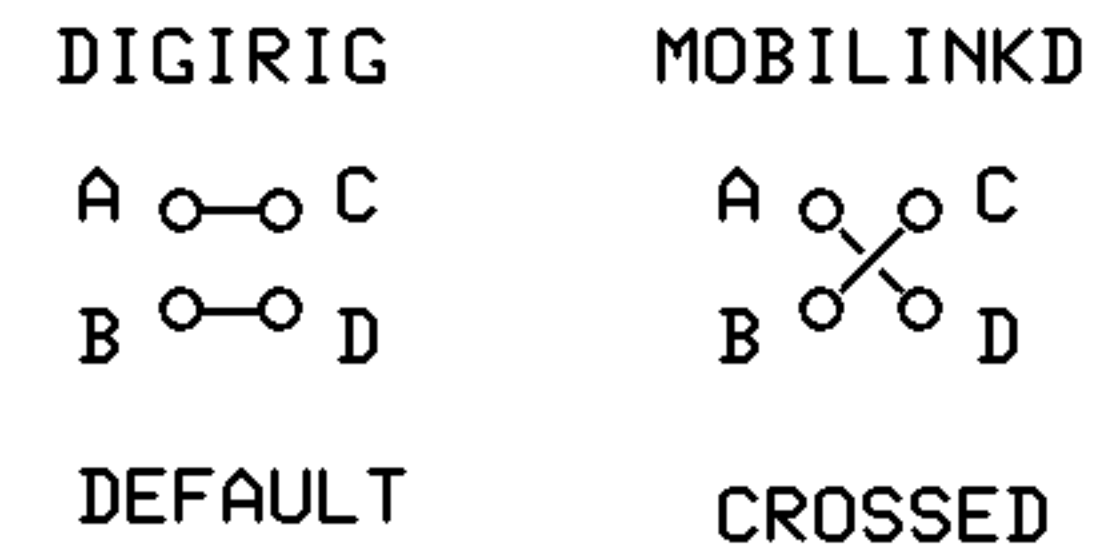


DISC or Receiver Audio



**TRRS Signal Steering**



To change from DIGIRIG cable pinout to MOBILINKD, cut the traces between A-C and B-D and cross connect the holes for B-C and A-D insuring not to short out the crossed connections.

<b>Masters Communications</b>	
<b>DRA-Pi-Zero REV2</b>	
Kevin Custer	Rev 2.0
	11/23/2024